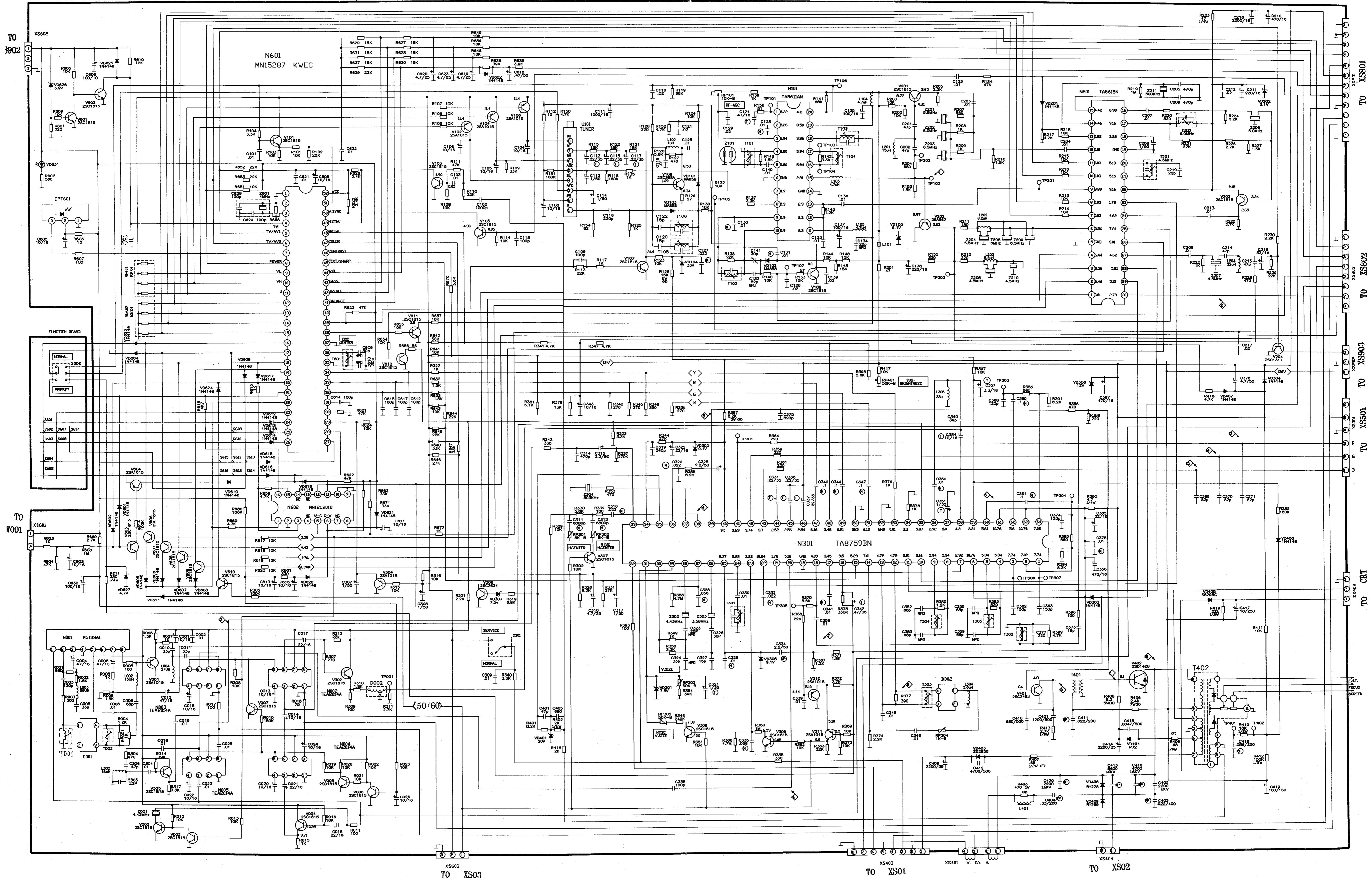


# T2510 T2512A 主板

MAIN BOARD



TO XS602

TO XS601

TO XS603

TO XS604

TO XS601

TO XS602

TO XS603

TO XS604

TO XS605

TO XS606

TO XS607

TO XS608

TO XS03

TO XS01

TO XS02

XS403

XS401

XS404

TO XS401

TO XS402

TO XS403

TO XS404

TO XS405

TO XS406

TO XS407

TO XS408

TO XS409

TO XS410

TO XS411

TO XS412

TO XS413

TO XS414

TO XS415

TO XS416

TO XS417

TO XS418

TO XS419

TO XS420

TO XS421

TO XS422

TO XS423

TO XS424

TO XS425

TO XS426

TO XS427

TO XS428

TO XS429

TO XS430

TO XS431

TO XS432

TO XS433

TO XS434

TO XS435

TO XS436

TO XS437

TO XS438

TO XS439

TO XS440

TO XS441

TO XS442

TO XS443

TO XS444

TO XS445

TO XS446

TO XS447

TO XS448

TO XS449

TO XS450

TO XS451

TO XS452

TO XS453

TO XS454

TO XS455

TO XS456

TO XS457

TO XS458

TO XS459

TO XS460

TO XS461

TO XS462

TO XS463

TO XS464

TO XS465

TO XS466

TO XS467

TO XS468

TO XS469

TO XS470

TO XS471

TO XS472

TO XS473

TO XS474

TO XS475

TO XS476

TO XS477

TO XS478

TO XS479

TO XS480

TO XS481

TO XS482

TO XS483

TO XS484

TO XS485

TO XS486

TO XS487

TO XS488

TO XS489

TO XS490

TO XS491

TO XS492

TO XS493

TO XS494

TO XS495

TO XS496

TO XS497

TO XS498

TO XS499

TO XS500

TO XS501

TO XS502

TO XS503

TO XS504

TO XS505

TO XS506

TO XS507

TO XS508

TO XS509

TO XS510

TO XS511

TO XS512

TO XS513

TO XS514

TO XS515

TO XS516

TO XS517

TO XS518

TO XS519

TO XS520

TO XS521

TO XS522

TO XS523

TO XS524

TO XS525

TO XS526

TO XS527

TO XS528

TO XS529

TO XS530

TO XS531

TO XS532

TO XS533

TO XS534

TO XS535

TO XS536

TO XS537

TO XS538

TO XS539

TO XS540

TO XS541

TO XS542

TO XS543

TO XS544

TO XS545

TO XS546

TO XS547

TO XS548

TO XS549

TO XS550

TO XS551

TO XS552

TO XS553

TO XS554

TO XS555

TO XS556

TO XS557

TO XS558

TO XS559

TO XS560

TO XS561

TO XS562

TO XS563

TO XS564

TO XS565

TO XS566

TO XS567

TO XS568

TO XS569

TO XS570

TO XS571

TO XS572

TO XS573

TO XS574

TO XS575

TO XS576

TO XS577

TO XS578

TO XS579

TO XS580

TO XS581

TO XS582

TO XS583

TO XS584

TO XS585

TO XS586

TO XS587

TO XS588

TO XS589

TO XS590

TO XS591

TO XS592

TO XS593

TO XS594

TO XS595

TO XS596

TO XS597

TO XS598

TO XS599

TO XS600

TO XS601

TO XS602

TO XS603

TO XS604

TO XS605

TO XS606

TO XS607

TO XS608

TO XS609

TO XS610

TO XS611

TO XS612

TO XS613

TO XS614

TO XS615

TO XS616

TO XS617

TO XS618

TO XS619

TO XS620

TO XS621

TO XS622

TO XS623

TO XS624

TO XS625

TO XS626

TO XS627

TO XS628

TO XS629

TO XS630

TO XS631

TO XS632

TO XS633

TO XS634

TO XS635

TO XS636

TO XS637

TO XS638

TO XS639

TO XS640

TO XS641

TO XS642

TO XS643

TO XS644

TO XS645

TO XS646

TO XS647

TO XS648

TO XS649

TO XS650

TO XS651

TO XS652

TO XS653

TO XS654

TO XS655

TO XS656

TO XS657

TO XS658

TO XS659

TO XS660

TO XS661

TO XS662

TO XS663

TO XS664

TO XS665

TO XS666

TO XS667

TO XS668

TO XS669

TO XS670

TO XS671

TO XS672

TO XS673

TO XS674

TO XS675

TO XS676

TO XS677

TO XS678

TO XS679

TO XS680

TO XS681

TO XS682

TO XS683

TO XS684

TO XS685

TO XS686

TO XS687

TO XS688

TO XS689

TO XS690

TO XS691

TO XS692

TO XS693

TO XS694

TO XS695

TO XS696

TO XS697

TO XS698

TO XS699

TO XS700

TO XS701

TO XS702

TO XS703

TO XS704

TO XS705

TO XS706

TO XS707

TO XS708

TO XS709

TO XS710

TO XS711

TO XS712

TO XS713

TO XS714

TO XS715

TO XS716

TO XS717

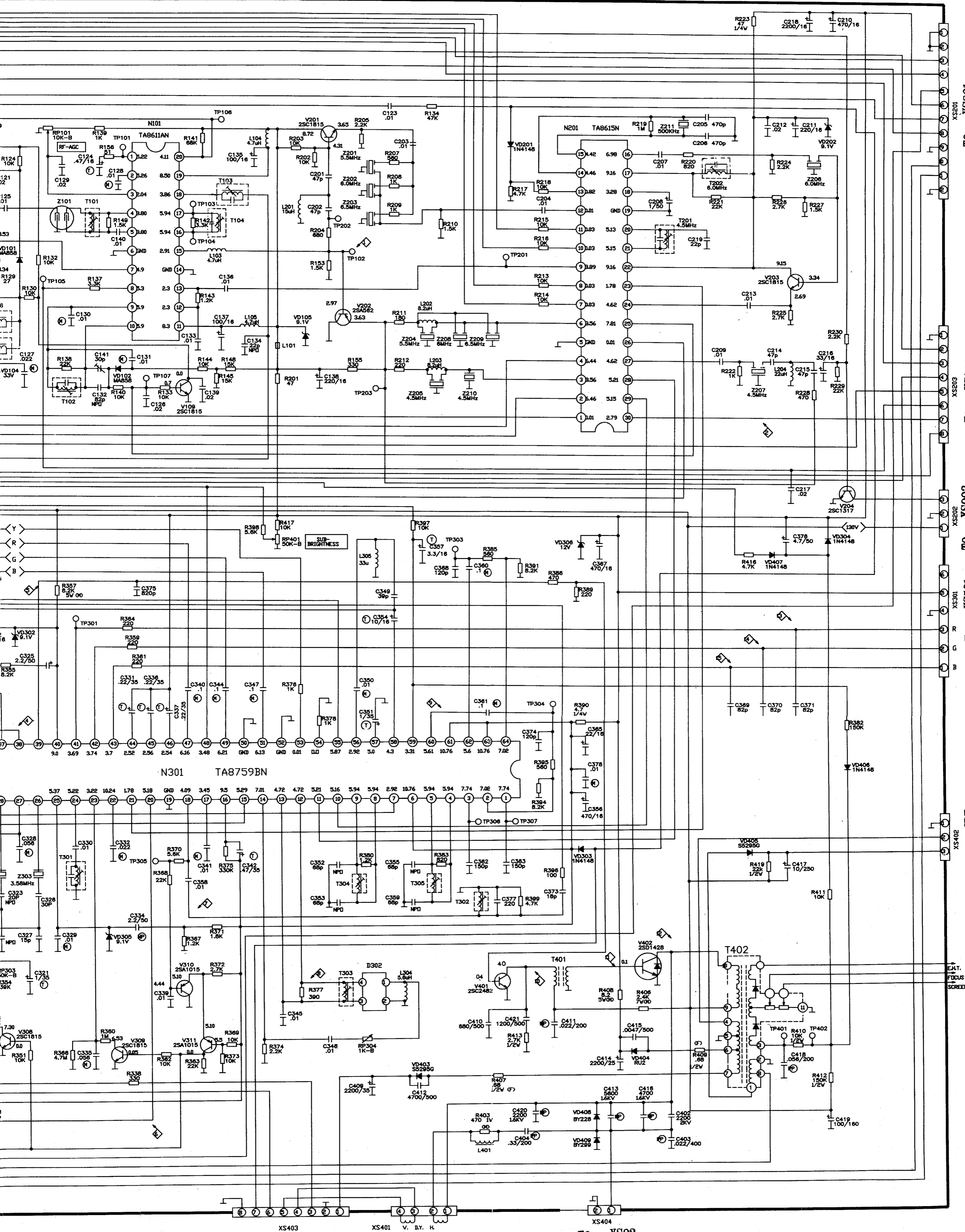
TO XS718

TO XS719

TO XS720

TO XS721</





TO XS801

TO XS802

TO XS903

TO XS501

TO CRT

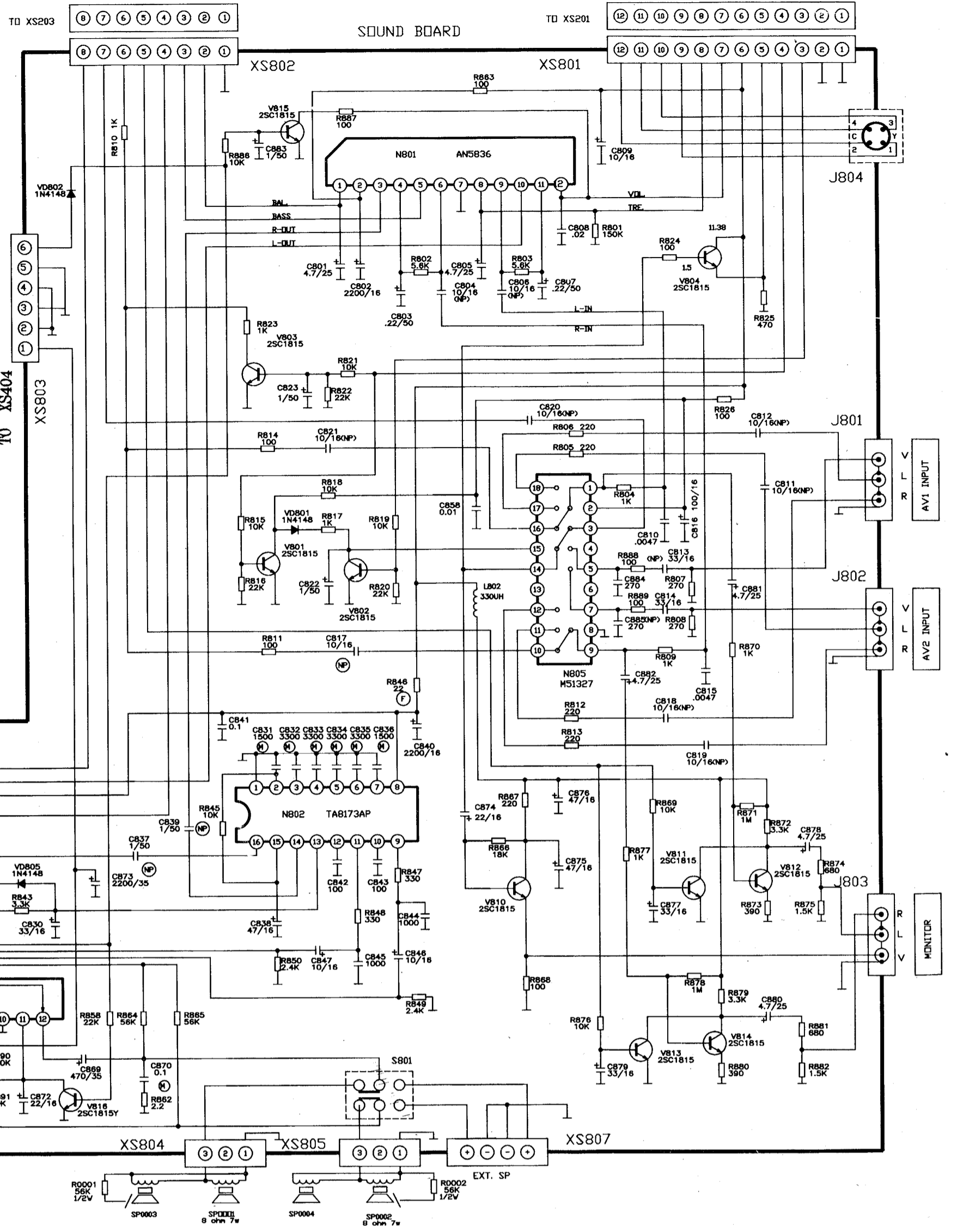
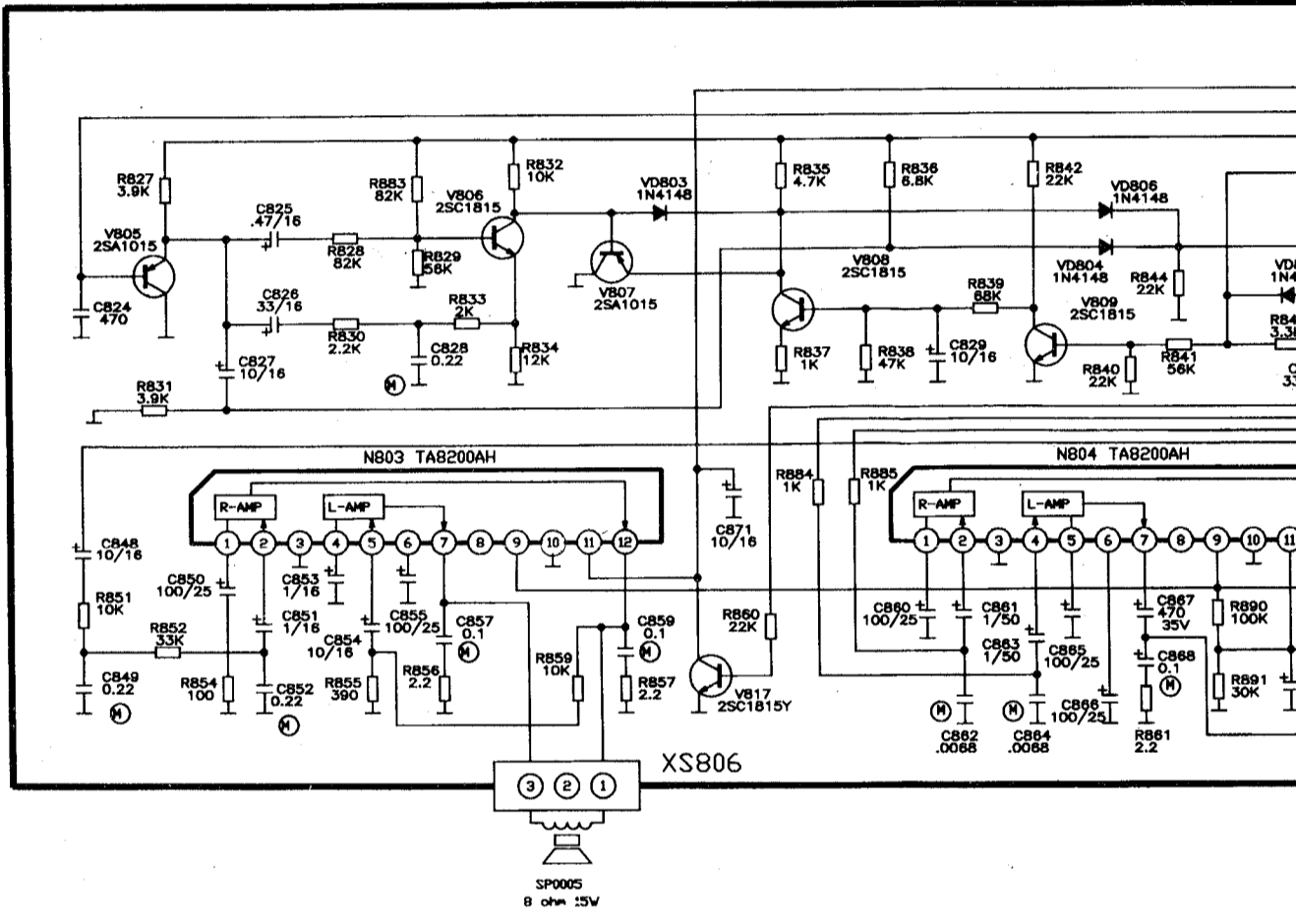
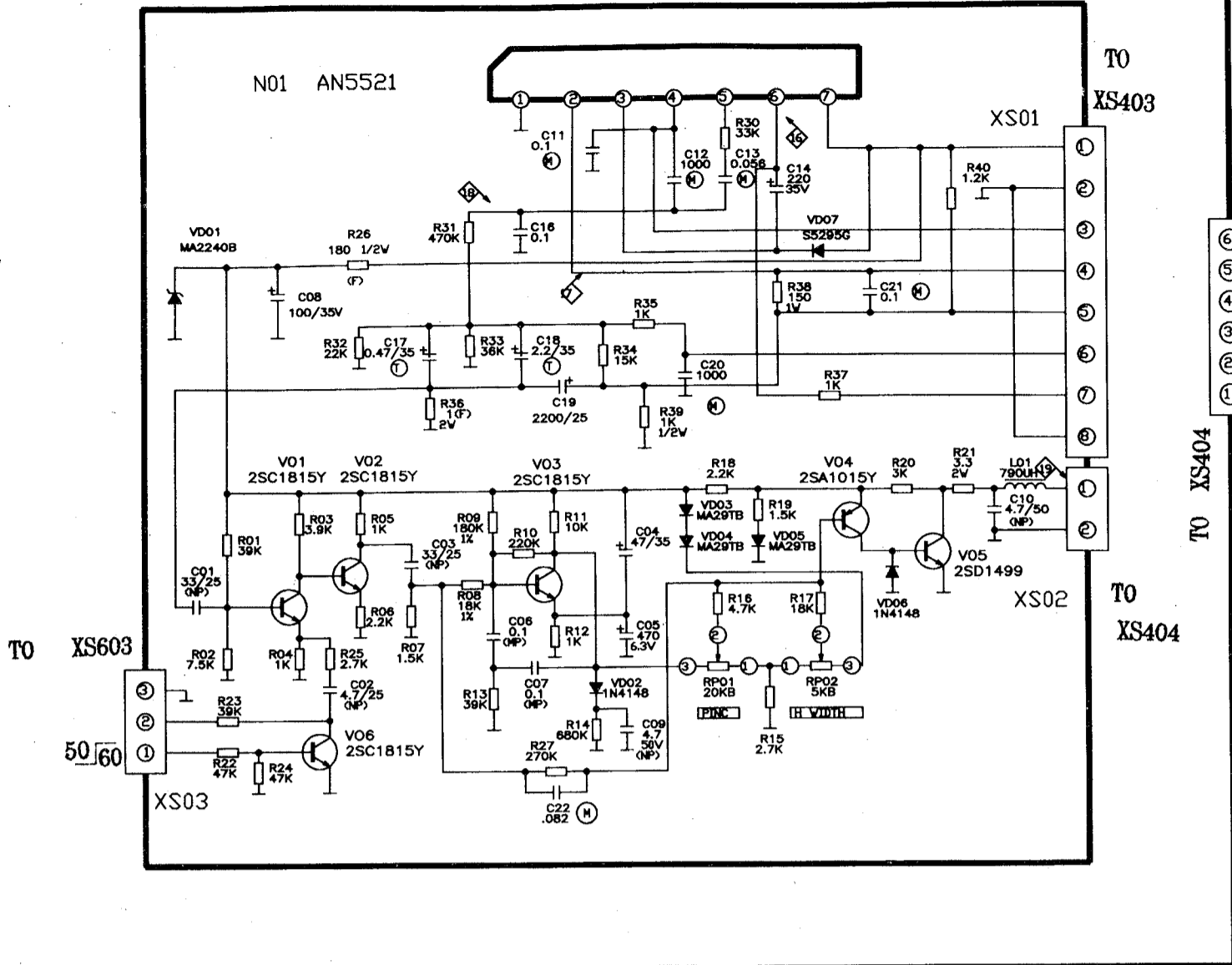
TO XS01

XS403 V. BY. H.

TO XS02

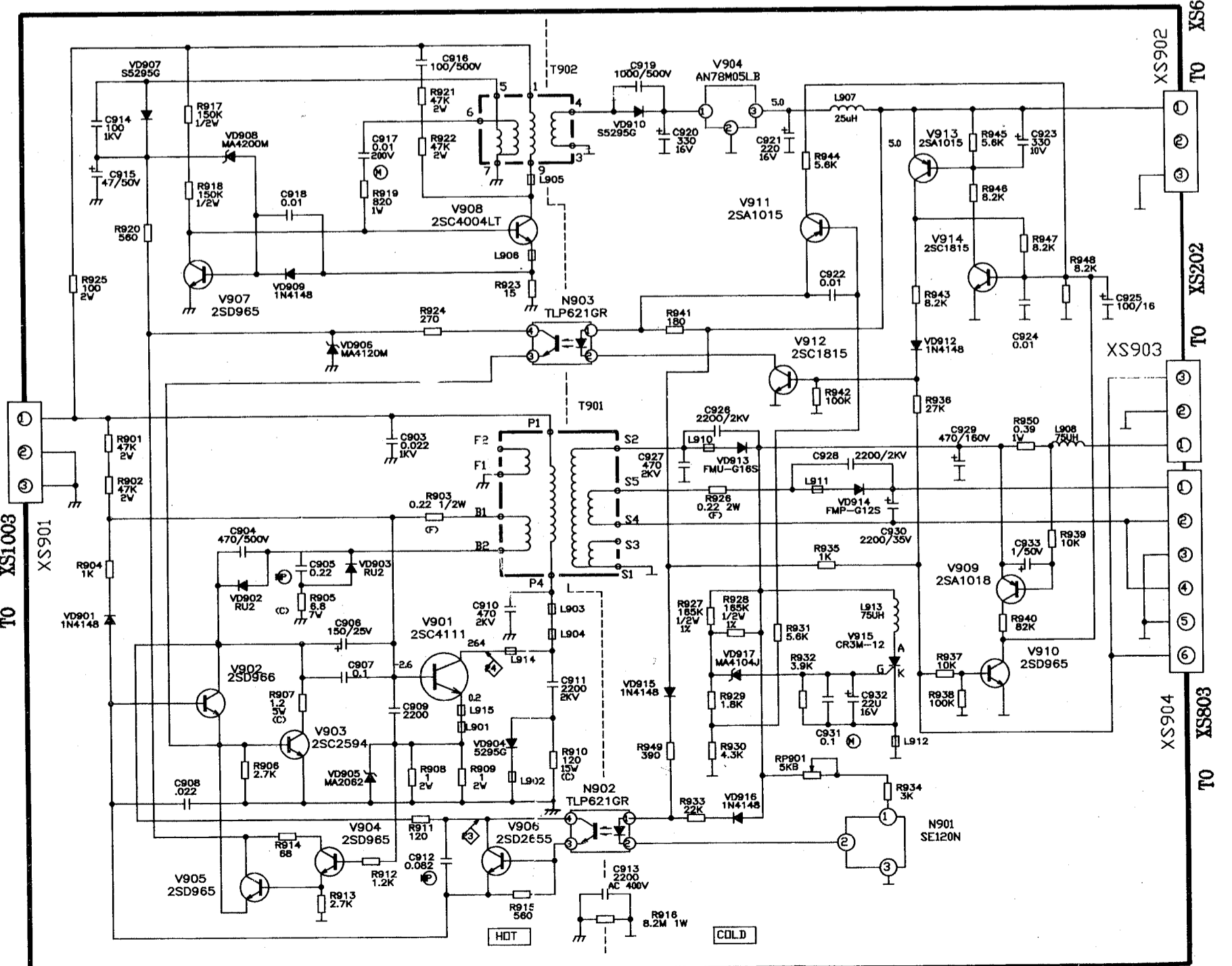
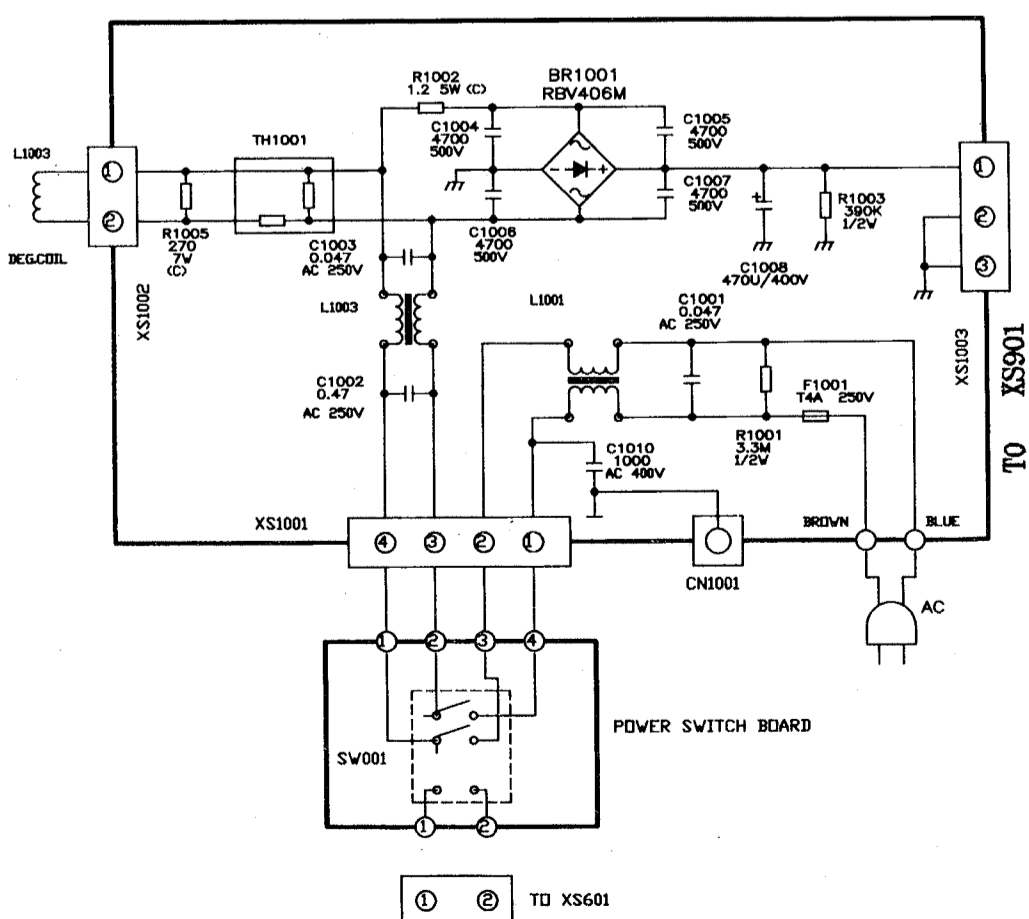
# T2512A 副板

V-OUT & PINC BOARD

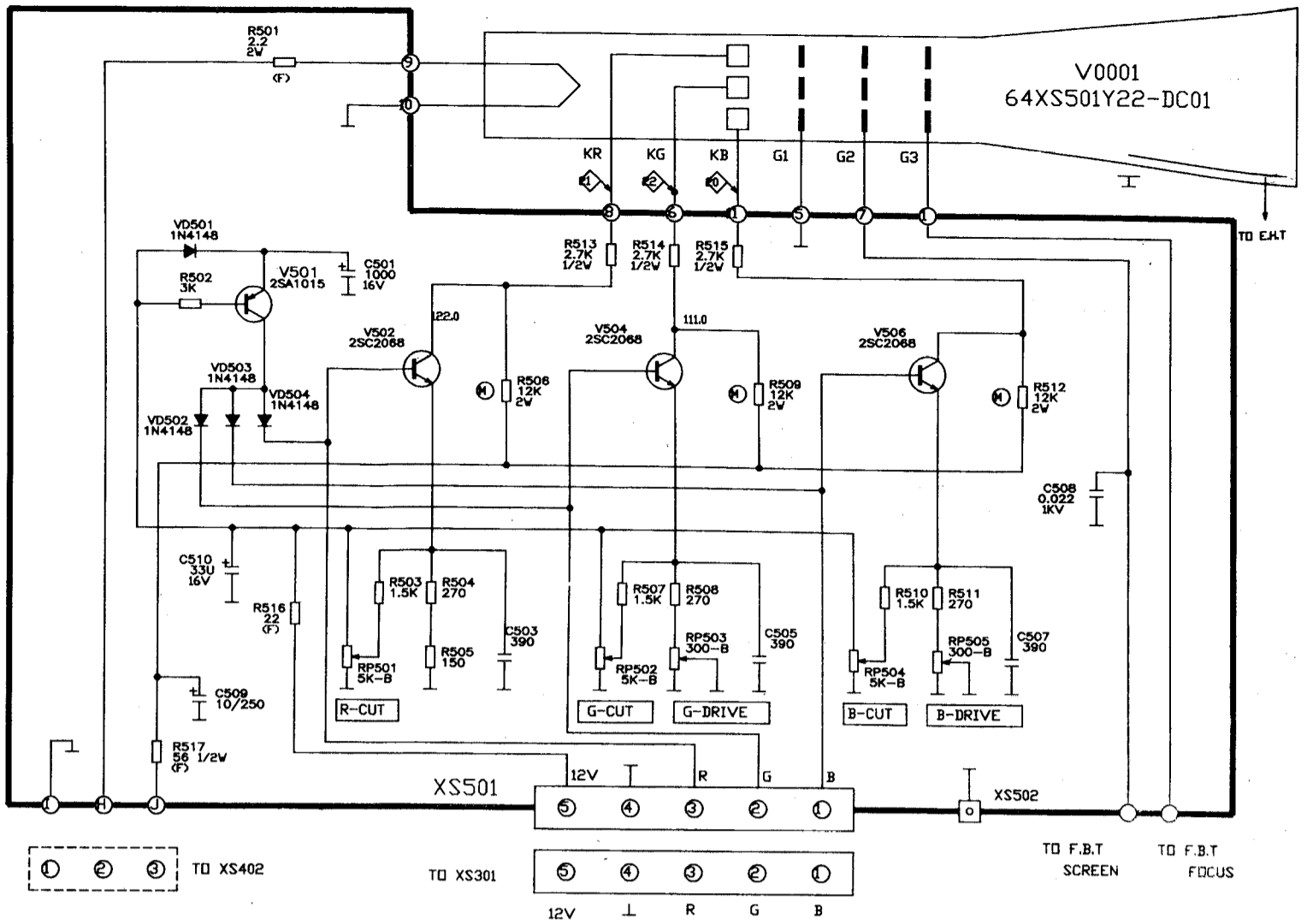


POWER BOARD

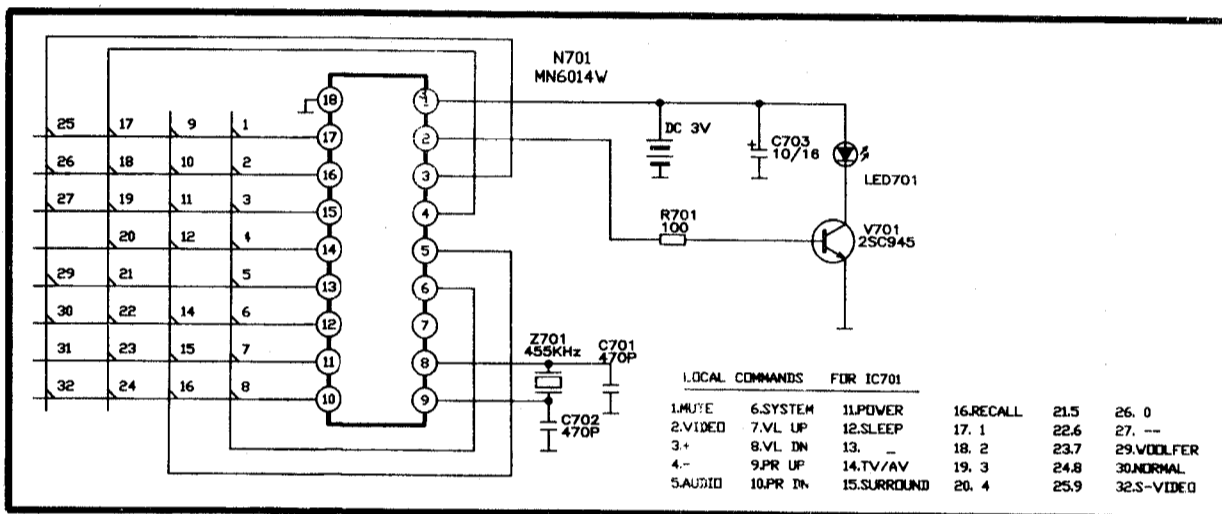
FILTER BOARD



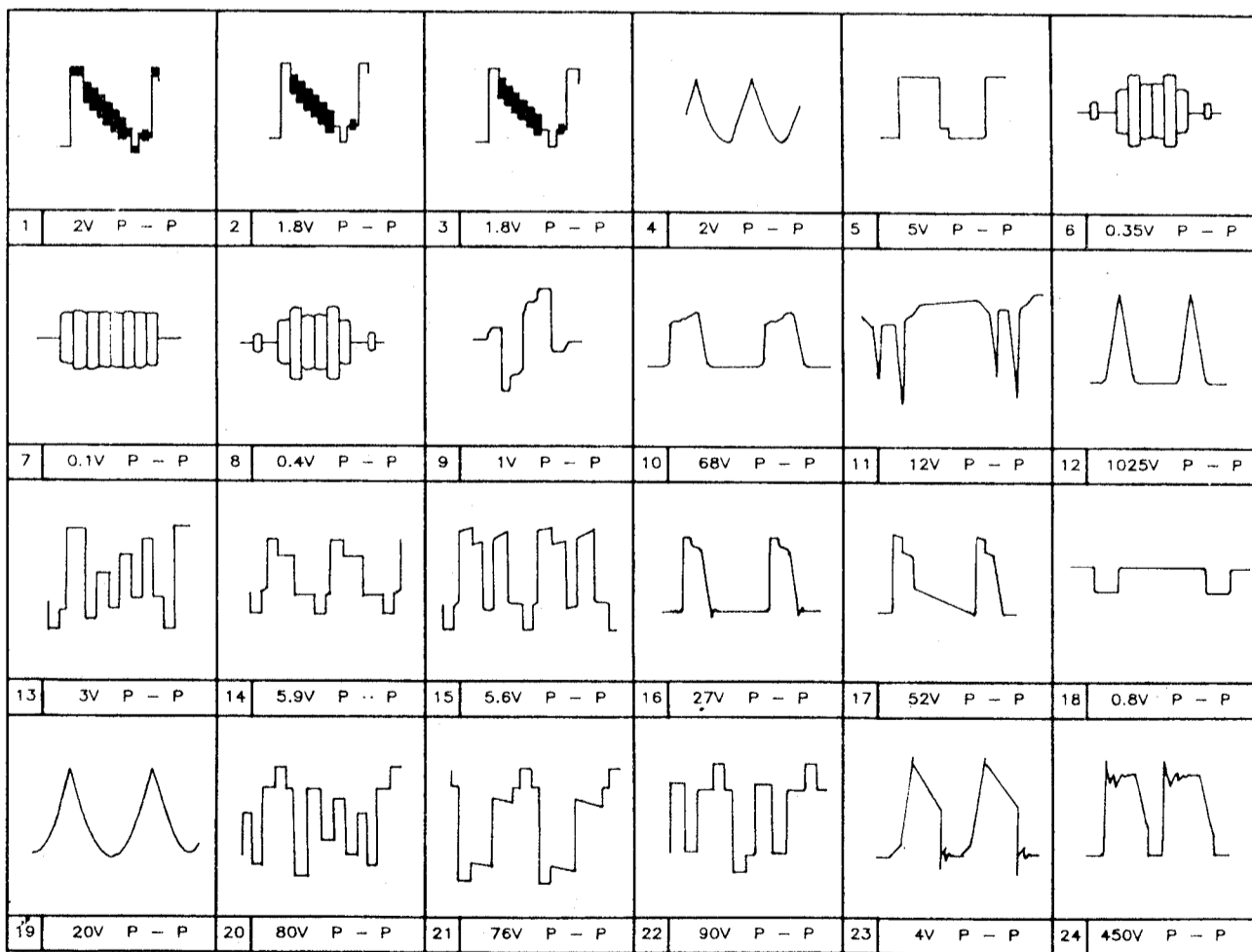
CRT BOARD



REMOTE UNIT



WAVEFORME



注意:

- (1)除另有标明外,所有电容单位均以  $\mu\text{F}$  为单位,耐压均为 50V。
- (2)没有特殊标志的电容,均为陶瓷电容。
- (3)除另有标明外,所有电阻阻值单位均为欧姆,功率均为 1/4 瓦。
- (4)没有特殊标志的电阻,均为碳膜电阻。
- (5)直流电压是用数字万用表测所示测量点对机芯地间的电压。
- (6)所有波形均在接收彩条信号,各控制键在正常位置时测得。
- (7)本电原理图如有更改,恕不通知。
- (8)凡有  $\Delta$  符号的零部件对安全极为重要,只能换用指定型号的零部件。

CIRCUIT SYMBOLS		
RESISTOR	CAPACITOR	
(N) NONFLAMMABLE	$\text{---} \parallel \text{---}$ ELECTROLYC	(M) MYLAR
(F) FUSEBLE	$\text{---} \text{---} \text{---}$ TANTALUM	(BP) BI-POLAR ELECTROLYC
(C) CEMENT	$\text{---} \text{---} \text{---}$ METALLIZED POLYESTER	
(M) METAL OXIDE	(P) POLYSTER FILM	
(T) THERMISTOR	$\text{---} \text{---} \text{---}$ POLYPROPYLENER	